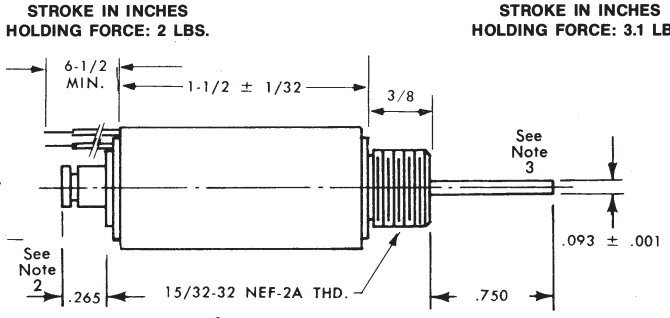
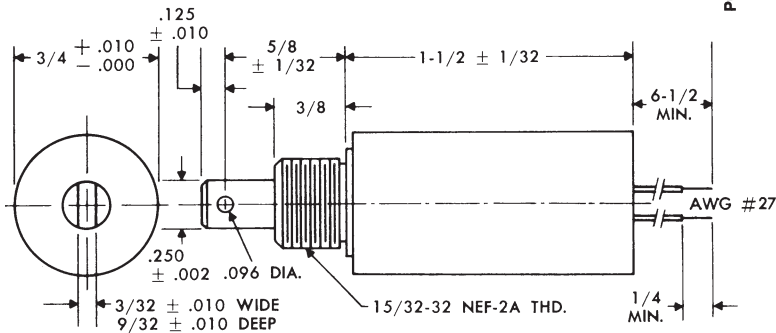
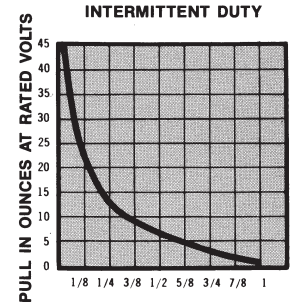
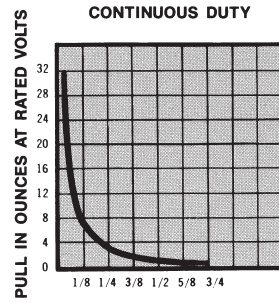


## Type C12-24



**Notes:**

- Solenoid shown in energized position.
- Weight is 3 ozs.
- Largest size thread that may be threaded on push rod #3.
- Push force approximately 90% of pull forces shown.

## Type C12-24

Specifications		Standard Coils		
<b>Size</b>	3/4" Diameter x 1 1/2" Long (From Mounting Surface)	<b>Nominal Volts (D.C.)</b>	<b>Resistance (OHMS ± 10%) at 25°C</b>	
<b>Weight</b>	3 Oz. Max.		<b>Continuous Duty</b>	<b>Intermittent Duty</b>
<b>Mounting</b>	15/32-32 Threaded Bushing (Nut and Lockwasher Supplied)	6	10.3	1.6
<b>Dielectric Strength</b>	500 VRMS	12	41.0	6.5
<b>Insulation Material</b>	Class "A" (105° C)	24	165.0	26.0
<b>Life Expectancy</b>	10 Million Cycles at Rated Load	110	3780.0	600.0
<b>Nominal Coil Power</b>	Continuous Duty—3.5 Watts Intermittent Duty (10%)—22 Watts (One Minute Max. on Time)	Other Coils and Duty Cycles Available Upon Request		

Catalog Number	Electroswitch P/N	Voltage	Duty Cycle	Coil Power (Watts)	Pull (Ounces)				Weight (Ounces)
					0.125	0.250	0.500	0.75	
C12-24C24DC-AY	4-6317-013	24	cont.	3.5	7.0	3.0	1.5	0.5	3
C12-241024DC-AY	4-6317-003	24	10%	22.0	21.0	13.0	7.0	3.0	3
C12-24C12DC-AY	4-6317-012	12	cont.	3.5	7.0	3.0	1.5	0.5	3
					Push (Ounces)				
C12-241024DC-AP	4-6317-503	24	10%	22.0	18.9	11.7	6.3	2.3	3
C12-24C24DC-AP	4-6317-513	24	cont.	3.5	6.3	2.5	1.35	.045	3